



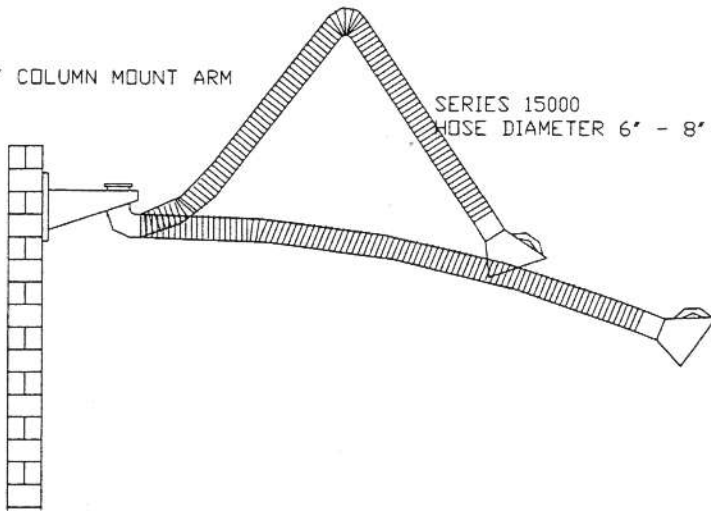
ACE INDUSTRIAL PRODUCTS

5043 Farlin Ave. / St. Louis, MO 63115 / 1-800-949-1472 / FAX 314-385-3254

www.aceindustrialproducts.com

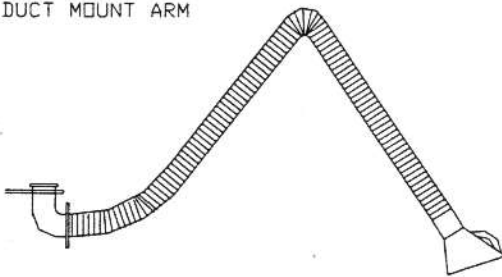
INDUSTRIAL AIR FILTRATION EQUIPMENT

WALL / COLUMN MOUNT ARM



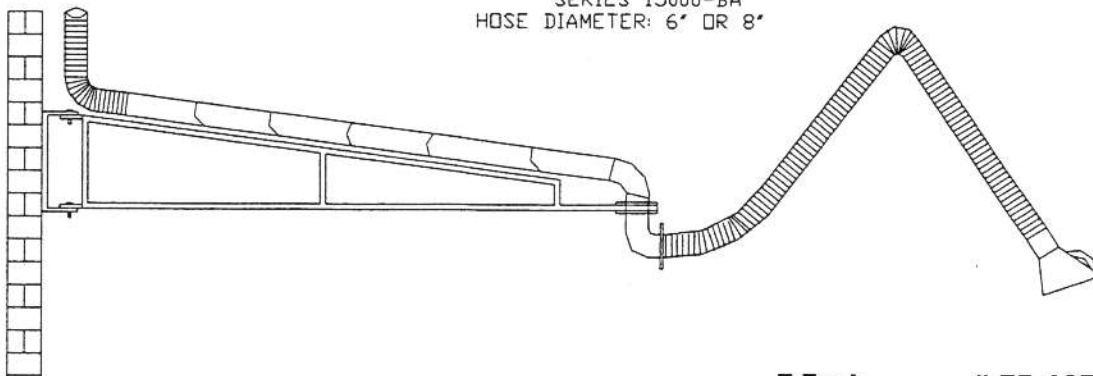
- 7 Foot # 75-076**
- 10 Foot # 75-106**
- 14 Foot # 75-146**

DIRECT DUCT MOUNT ARM



- 7 Foot # 75-076D**
- 10 Foot # 75-106D**
- 14 Foot # 75-146D**

SERIES 15000-BA
HOSE DIAMETER: 6" OR 8"



- 7 Foot # 75-107BA**
- 10 Foot # 75-1010BA**
- 14 Foot # 75-1014BA**
- 10 Foot # 75-105 (Boom Only)**



ACE INDUSTRIAL PRODUCTS

5043 Farlin Ave. / St. Louis, MO 63115 / 1-800-949-1472 / FAX 314-385-3254

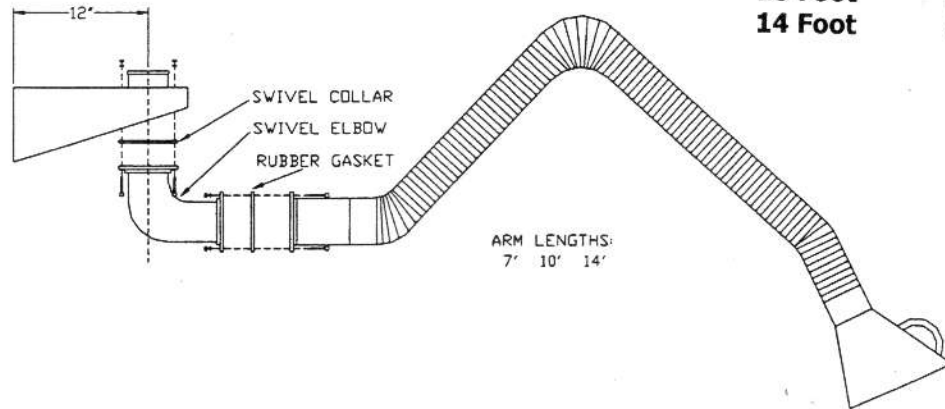
www.aceindustrialproducts.com

INDUSTRIAL AIR FILTRATION EQUIPMENT

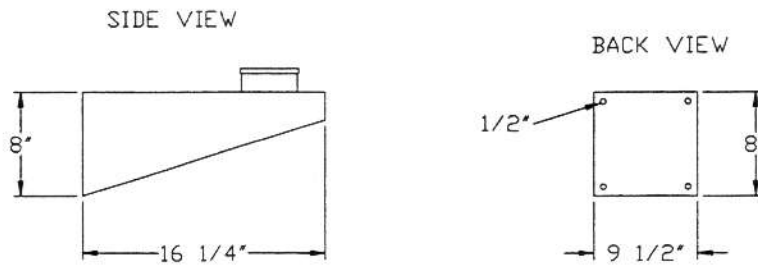
SERIES 15000 - HOSE DIAMETER: 6" or 8"

Wall/Column Mount Bracket Components:

7 Foot	# 75-076
10 Foot	# 75-106
14 Foot	# 75-146



Wall/Column Mount Bracket Dimensions - Side View (Below Left) and Back View (Below Right):





ACE INDUSTRIAL PRODUCTS

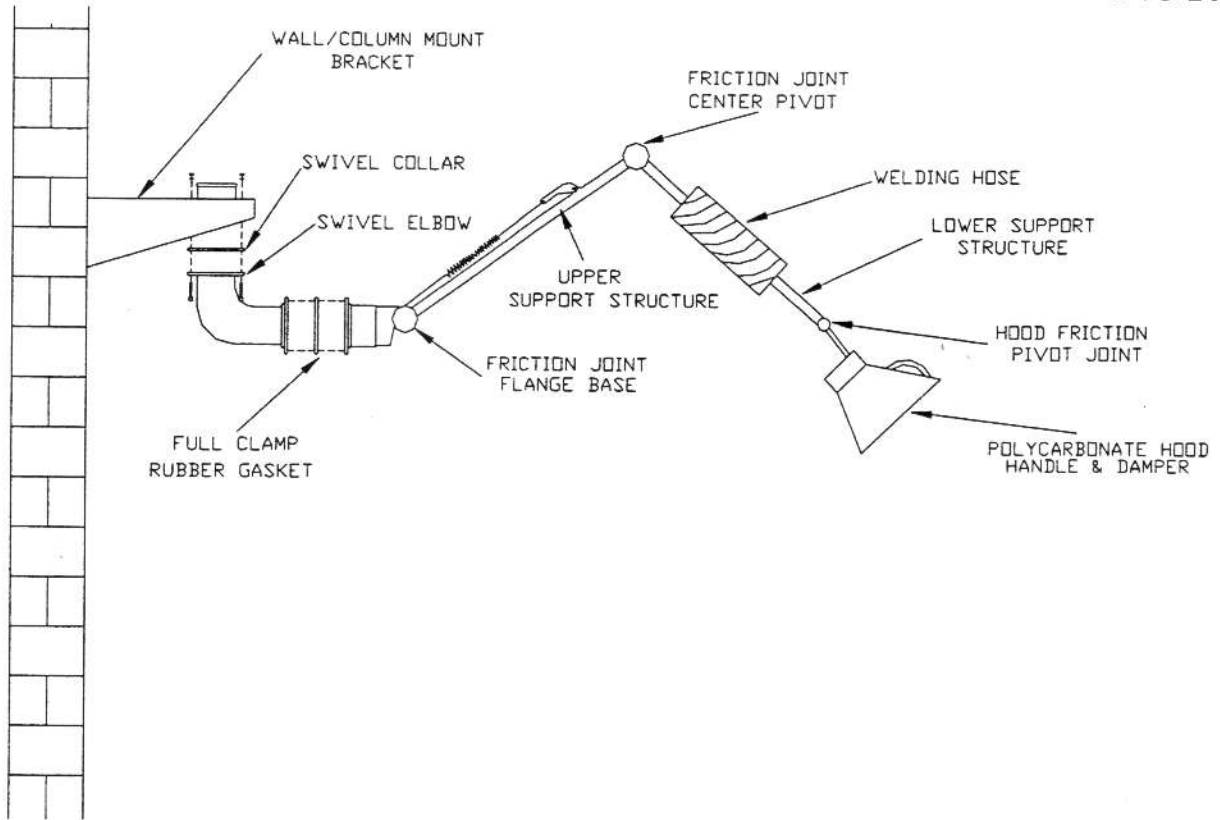
5043 Farlin Ave. / St. Louis, MO 63115 / 1-800-949-1472 / FAX 314-385-3254

www.aceindustrialproducts.com

INDUSTRIAL AIR FILTRATION EQUIPMENT

EXPLODED VIEW OF SERIES 15000 ARM FOR WALL/COLUMN MOUNT

7 Foot # 75-076
10 Foot # 75-106
14 Foot # 75-146





ACE INDUSTRIAL PRODUCTS

5043 Farlin Ave. / St. Louis, MO 63115 / 1-800-949-1472 / FAX 314-385-3254

www.aceindustrialproducts.com

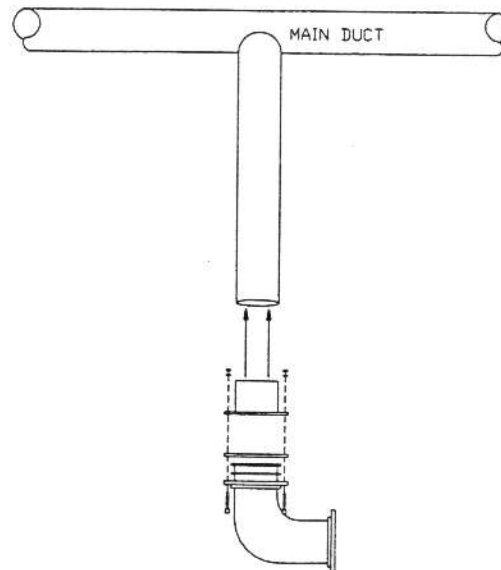
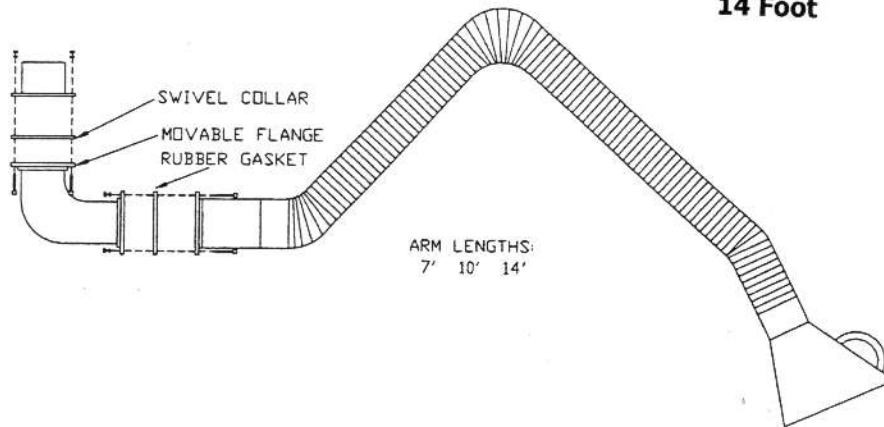
INDUSTRIAL AIR FILTRATION EQUIPMENT

SERIES 15000-D (6" or 8")

Direct Duct Mount Arm:

7 Foot
10 Foot
14 Foot

75-076D
75-106D
75-146D



Mounting Tips:

6" ID Connecting Duct.

Note: The connecting duct must be of heavy gauge and braced. Complete arm will be supported by the connecting duct. The flange shown above will slide inside the connecting duct.

** The flange can be welded to the connecting duct branch. The elbow is then bolted to the flange and the arm is bolted to the elbow, as shown above. The arm will swivel 360 degrees.



ACE INDUSTRIAL PRODUCTS

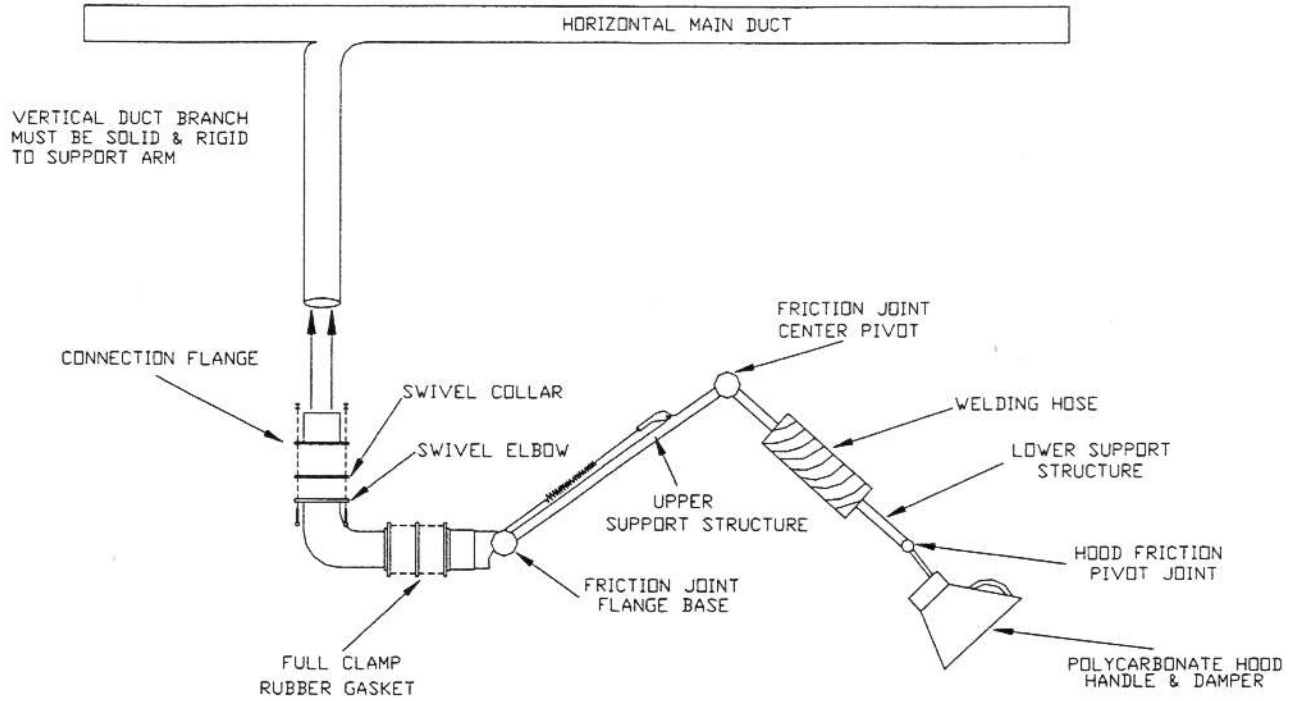
5043 Farlin Ave. / St. Louis, MO 63115 / 1-800-949-1472 / FAX 314-385-3254

www.aceindustrialproducts.com

INDUSTRIAL AIR FILTRATION EQUIPMENT

EXPLODED VIEW of SERIES 15000-D VERTICAL DUCT MOUNT ARM

- 7 Foot # 75-076D**
- 10 Foot # 75-106D**
- 14 Foot # 75-146D**





ACE INDUSTRIAL PRODUCTS

5043 Farlin Ave. / St. Louis, MO 63115 / 1-800-949-1472 / FAX 314-385-3254

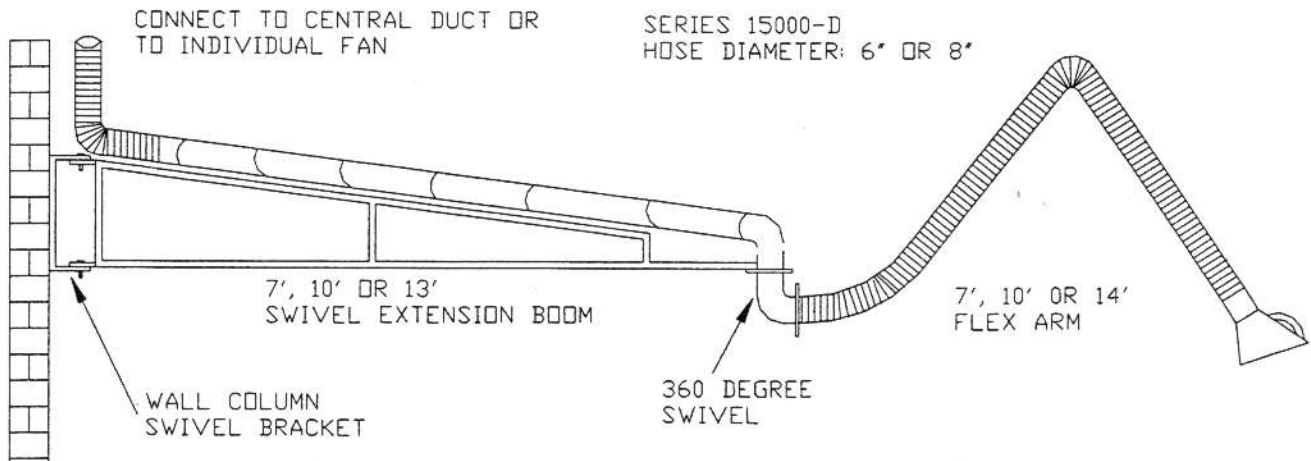
www.aceindustrialproducts.com

INDUSTRIAL AIR FILTRATION EQUIPMENT

SWIVEL BOOM - FLEX ARM • SERIES 15000-BA

SERIES 1500-BA IS A PACKAGE CONSISTING OF THE SWIVEL BOOM AND A SELF SUPPORTING FLEX ARM MOUNTING ON END.

- SWIVEL BOOM IS AVAILABLE IN 7', 10', OR 13' LENGTHS.
- FLEX ARM AVAILABLE IN 7', 10', OR 14' LENGTHS.



THE SWIVEL BOOM EXTENSION IS CONSTRUCTED FROM 1 1/2" & 2" HEAVY STEEL TUBE. THE BOOM IS PAINTED WITH INDUSTRIAL GRADE EPOXY COMBINATION FOR LONGEVITY. THE ARM OFFERS COMPLETE VERTICAL POSITIONING MOVEMENT AND WILL SWIVEL A FULL 360 DEGREES AT THE POINT OF CONNECTION OF THE ELBOW TO THE BOOM END. THE EXTENSION BOOM ALSO PIVOTS FREELY AT THE WALL/COLUMN BRACKET.

- | | |
|----------------|-----------------------------|
| 7 Foot | # 75-107BA |
| 10 Foot | # 75-1010BA |
| 14 Foot | # 75-1014BA |
| 10 Foot | # 75-105 (Boom Only) |



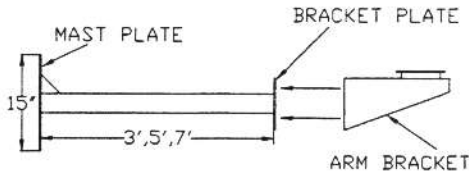
ACE INDUSTRIAL PRODUCTS

5043 Farlin Ave. / St. Louis, MO 63115 / 1-800-949-1472 / FAX 314-385-3254

www.aceindustrialproducts.com

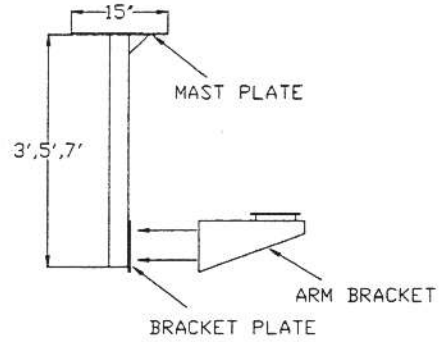
INDUSTRIAL AIR FILTRATION EQUIPMENT

WALL MOUNT EXTENSION BRACKET
SERIES EXT-WM



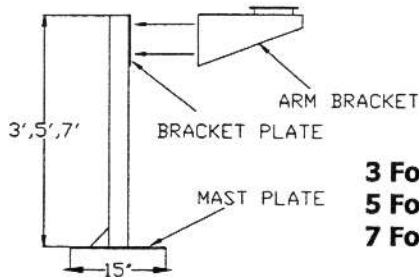
- | | |
|---------------|-------------------|
| 3 Foot | # 75-803WM |
| 5 Foot | # 75-805WM |
| 7 Foot | # 75-807WM |

CEILING MOUNT EXTENSION BRACKET
SERIES EXT-CM



- | | |
|---------------|-------------------|
| 3 Foot | # 75-803CM |
| 5 Foot | # 75-805CM |
| 7 Foot | # 75-807CM |

FLOOR MOUNT EXTENSION BRACKET
SERIES EXT-FM



- | | |
|---------------|-------------------|
| 3 Foot | # 75-803FM |
| 5 Foot | # 75-805FM |
| 7 Foot | # 75-807FM |

The Series EXT is available in (3) lengths: 3', 5', or 7'. The main support mast is of 2" x 3" steel tubing. The mast plate and bracket plate are of 1/4" steel.

The arm bracket will mount directly to the bracket plate, which is welded to the mast. The EXT is also supplied with a triangular support plate, which is welded to the mast and the mast plate. The EXT is painted. For correct model number, add the length of the EXT after the type unit required.

Example:

EXT-WM-3

EXTENSION-WALL MOUNT-3'

***Other lengths available - please consult factory.*